

Laser accessories to aid in data-taking for many different machine tool types

L-702SP Laser System Accessories

A series of mounting fixtures for the L-702SP Laser and T-1295 5-Axis Universal Geometry Measuring Target to aid in measuring hard to measure axes on enclosed machining centers, boring mills and multiturn machines.

L-702MB Laser Mounting Mag Base

Used to mount the L-702SP on flat surfaces for:

- Flatness measurements of surfaces.
- Flatness, straightness & squareness measurements of machine tool axes.

L-702RA – Right Angle Spindle Mounting Fixture

Used to mount the L-702SP Laser and T-1295 Target at right angles to the spindle axis for use on:

- Boring mills.
- Horizontal and Vertical Machining Centers to measure other axes with the L-702SP mounted the spindle.
- Multi-turn machines to measure X & Y axes

T-242 Target Straightness Measuring Base

Used to hold the T-1295 5-Axis Target to measure vertical and horizontal straightness of machine tool axes and surfaces. Comes with X-Y micrometers to center the target to the laser beam in X (H) & Y (V) and mag base and set of posts.

T-243 Target Flatness Measuring Base

Used to hold the T-1295 5-Axis Target to measure flatness of machine tool axes and surfaces. The target rotates 360° on a very flat surface built into the T-243 fixture to ensure a flatness of $\pm .0001$ in. (0.0025 mm)



L-702MB Laser Mounting Base



L-702RA Right-Angle Spindle Mount



T-242 Target Straightness Measuring Base



T-243 Target Flatness Measuring Base



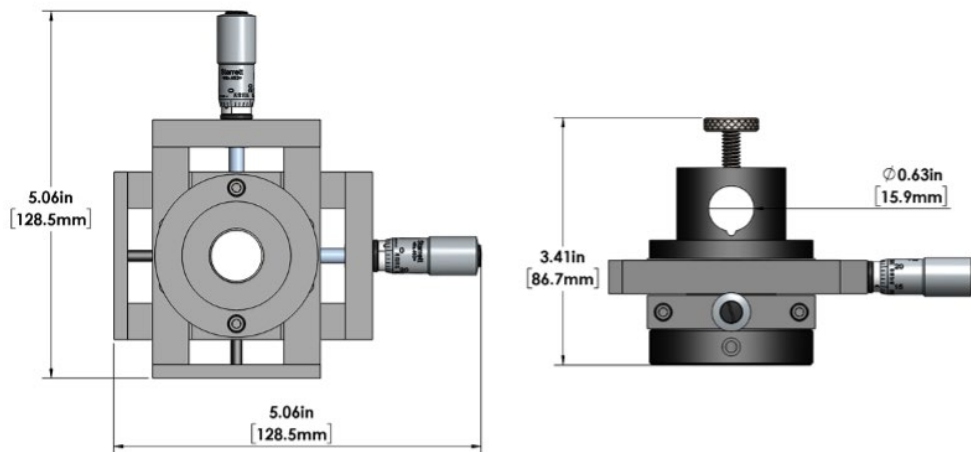
Hamar Laser Instruments, Inc.
5 Ye Olde Road Danbury, CT 06810
Phone: 800.826.6185 Fax: 203.730.4611
Int'l: +1.203.730.4600
E-mail: sales@hamarlaser.com www.hamarlaser.com
[Click here](#) for a list of our distributors.



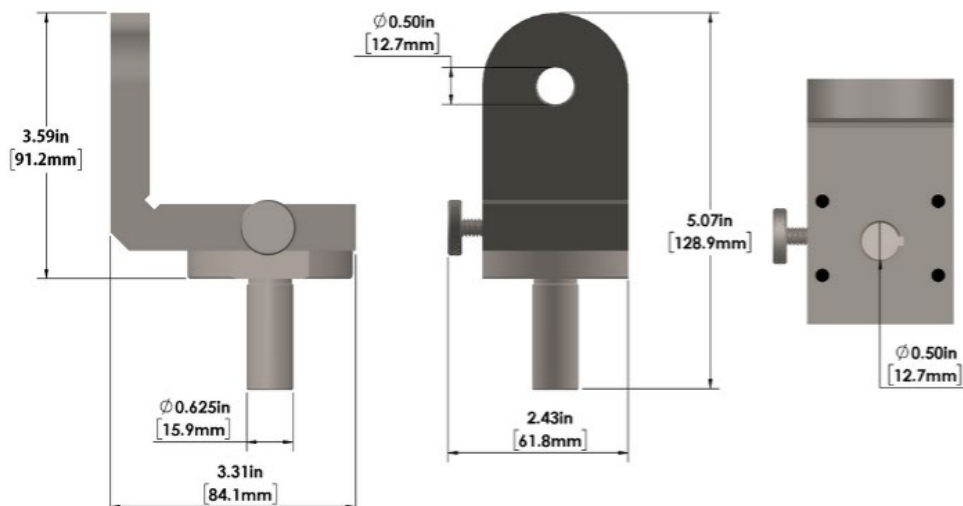
Specifications

Dimensions	See drawings below.
L-702RA Mounting Stud diameter	.625 in. (15.88 mm)
T-242 Adjustment Range	±.25 in. (± 6.35 mm) in X (H) & Y (V)
T-242 Adjustment Resolution	.0001 in. (0.003 mm)
T-242 Accessories	12.5 in. (317.5 mm) 3 pieces 176 lbs (80 kg) magnetic base
T-243 Rotation Mount	Target-head rotates 360° to point at laser. Rotation flatness is ± .0001 in. (0.0025 mm). For use with all HLI L-730/L-740 Series scanning lasers
Material	440 stainless steel, aluminum and other materials, RC54-58 hardness for mounting stud
Weight	L-702MB: 3.86 lb. (1.76 kg) L-702RA: 1.19 lb. (0.54 kg) T-242: 5.13 lb. (2.33 kg) with mag base and 3-piece post set T-243: 4.38 lb. (1.99 kg) with mag base and 3-piece post set

T-242 Straightness Measuring Base – 2-Axis Stage

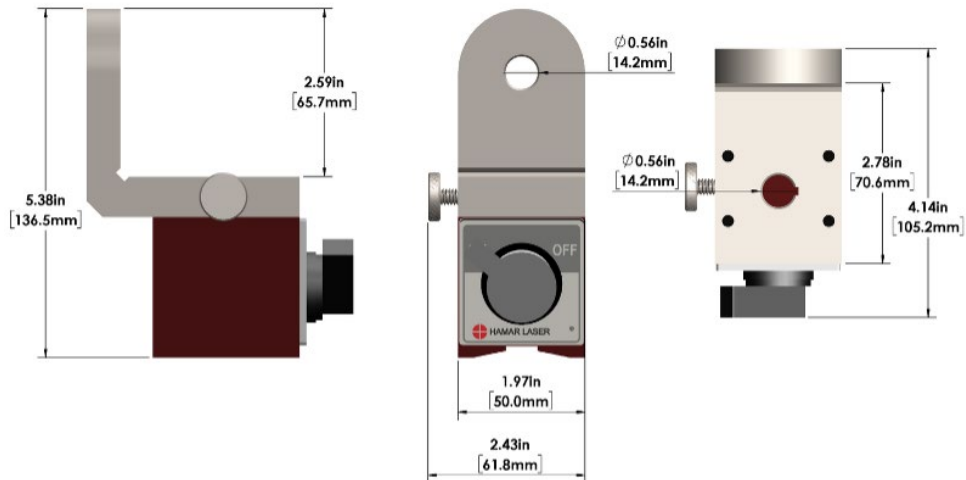


L-702RA Right-Angle Spindle-Mounting Fixture

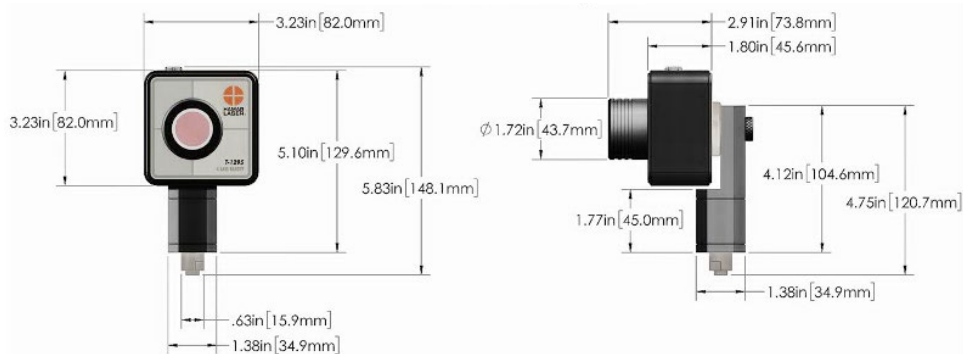


Specifications

L-702MB Mag Base Mounting Fixture



T-1295 Target with T-243 Flatness Measuring Base



T-243 Flatness Measuring Base

