

REV	DESCRIPTION	DATE	APPROVED
A	UPDATED CONVERTER CONNECTIONS AND ADDED CABLE NOTES	06/07	CA
B	ELIMINATED RS-232C INTERMEDIATE CONNECTION	02/11	CA

NOTES:  
 SIGNAL PATH LIMITATIONS:  
 THE MAXIMUM COMBINED CABLE LENGTH, STARTING AT THE RS-485 END OF THE CONVERTER(?) TO ALL TARGETS(1) MUST NOT EXCEED 4000 FT. [1219M]  
 USE ONLY LOW-CAPACITANCE, COMMUNICATIONS GRADE, SHIELDED CABLE

POWER THROUGH HUB(3), POWER SUPPLY(4) LIMITATIONS:  
 TARGET CANNOT BE POWERED DIRECTLY FROM A HUB  
 IF THE LENGTH OF ANY TARGET CABLE(2) EXCEEDS 20FT. [6M]  
 FOR LONGER CABLE RUNS, THE TARGET MUST BE POWERED FROM THE INTERNAL BATTERY, OR POWERED INDEPENDENTLY THROUGH AN OPTIONAL SIGNAL/POWER SPLITTER CABLE AS SHOWN IN FIG.1

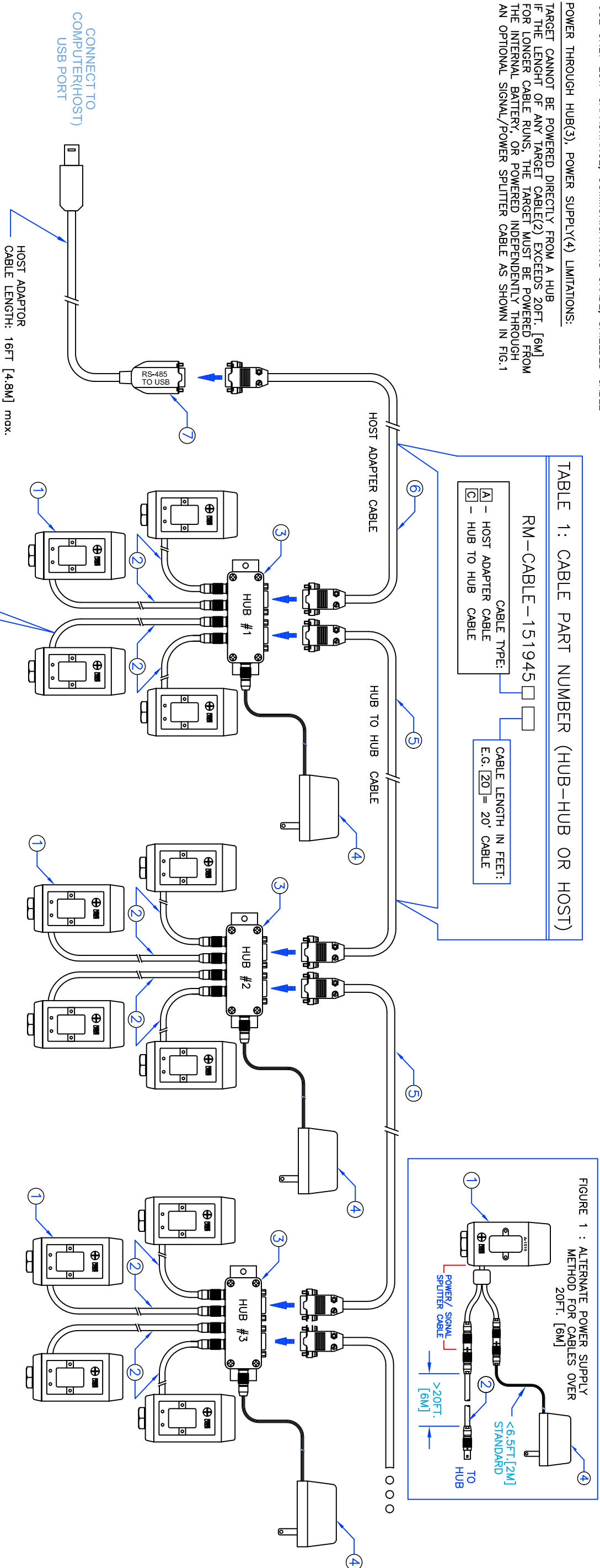


TABLE 1: CABLE PART NUMBER (HUB-HUB OR HOST)

RM-CABLE-151945

CABLE TYPE:  
 [A] - HOST ADAPTER CABLE  
 [C] - HUB TO HUB CABLE

CABLE LENGTH IN FEET:  
 E.G. [20] = 20' CABLE

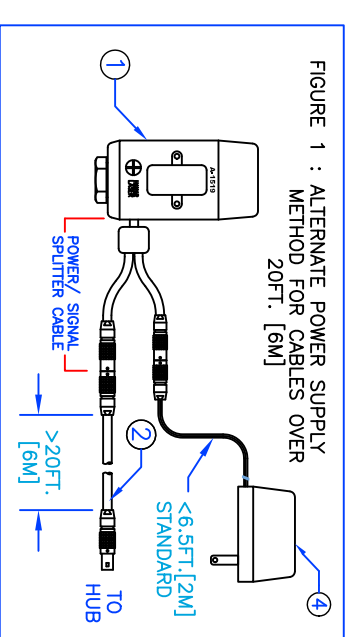


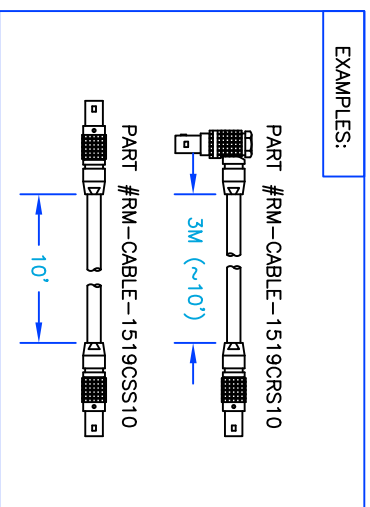
TABLE 2: CABLE PART NUMBER (TARGET TO HUB)

RM-CABLE-1519C

CABLE LENGTH IN FEET:  
 E.G. [20] = 20' CABLE

PLUG TYPE, TARGET SIDE:  
 [S] = STRAIGHT PLUG  
 [R] = RIGHT ANGLE PLUG

PLUG TYPE, HUB SIDE:  
 [S] = STRAIGHT PLUG



NOTE: TO CONVERT METERS TO FEET: MULTIPLY LENGTH IN METERS BY 3.281 = FEET  
 ROUND DISTANCE IN FEET TO THE NEAREST WHOLE FOOT (EX: SPECIFY 9.8' AS 10')

7	1	HOST ADAPTOR, RS-485 to USB	RM-HDWR-151945U24	IOGEAR	FOR USB ONLY	
6	1	RS-485 HUB COMPUTER (HOST) CABLE, 10'	RM-CABLE-151945A10	USCONVERTERS	ANU485PRO	
5	VARIABLES	RS-485 HUB INTERCONNECTING CABLE, 20'	RM-CABLE-151945C20	HLI	SEET TABLE 1	
4	VARIABLES	RS-485 HUB, POWER SUPPLY, 6VDC@2A	RM-TGTAC-151945PS	HLI	SEET TABLE 1	
3	VARIABLES	RS-485 FOUR PORT POWERED HUB	RM-TGTAC-A151945	HLI		
2	VARIABLES	TARGET CABLE (RS TYPE), 20'	RM-CABLE-1519CRS20	HLI	SEE TABLE 2	
1	VARIABLES	A-1519 / A-1520 UNITARGET	RM-TARGET-A1519[A1520]	HLI		
ITEM	QTY	DESCRIPTION	HAMAR P/N	REV	MANUFACTURER	NOTES

Mfg. per HLI Spec. 9201  
 Unless otherwise specified dimensions are in inches  
 Decimal: .XX ±.01  
 .XXX ±.005  
 .XXXX ±.0005  
 Angular: ±1/2'  
 Fraction: ±1/64

CONFIDENTIAL: This Drawing, Design and/or Specifications are the property of Hamar Laser Instruments Inc. It shall not be discussed, disseminated or copied by any means, without the written consent of Hamar Laser Instruments Inc.

Third Angle Projection

Drawn: CA Date: 6/12/03  
 Checkd: CA Date:  
 Apprd: CA Date:  
 Dwg No: CA  
 Model: CA  
 Scale: 1:1  
 Sheet: 1 of 1  
 Material: -

RS-485, POWERED HUB CONNECTING MULTIPLE TARGETS

REV MANUFACTURER NOTES